

ZIGBEE MULTIFUNCTION RELAY SWITCH WITH METERING



Actuator



Features

The Zigbee Multifunction Relay Switch with Metering enables users to control their garage door, gate, heater, power socket, boiler... It also allows the metering to make energy savings. It is easy to install on existing equipment to connect it and make it remotely controllable - requires a compatible home automation system - with a smartphone, by voice or automatically.



HIGH SWITCHING CAPACITY

3.000W for controlling individual devices or collective (water heater, boiler...)



METERING

Metering of instant and cumulated power to make energy savings



POTENTIAL-FREE OUTPUT

The Relay Switch has a potential-free output



ULTRA LOW PROFILE

Compact Relay Switch for installation in flush-mounted boxes



INSTALLATION AT THE ELECTRICAL PANEL

DIN Rail Box needed*



UPDATE OVER THE AIR (OTA)

The relay switch is quick to update thanks to the OTA function. Updates can be carried out via a compatible home automation system and the NodOn Connect app



COMPATIBLE WITH ALL ZIGBEE ECOSYSTEMS

Zigbee 3.0, this relay switch is 100% Zigbee interoperable

Technical specifications

Power supply: 230V AC ~ 50Hz

Switching capabilities: 230V AC - 14A

Consumption: <1W

Maximum output power: 3.000W - Integrated zero crossing

RF protocol: Zigbee 3.0

Radio frequency range: 2.4 GHz

RF power max: +10dBm

Range: up to 40m indoors

Operational temperature:

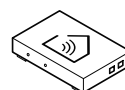
The SIN withstands ambient temperatures :

- Between -20 and 40° in the open air.
- Between -20 and 35°C in a flush-mounted box.
- Between -20 and 40°C in the NodOn DRB (Din Rail Box).
- Between -20 and 40°C in the NodOn BPS (Surface-Mounted Box).

Protection rating: IP 20

Device ID Type: Smart Plug (0x0051)

Commercial Warranty: 2 years



The Zigbee Multifunction Relay Switch with Metering works only with a Zigbee compatible home automation system (automatic or remote control).

List of compatible home automation gateways available on www.nodon.fr/en



Renovation



Comfort




Installation

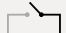


N Terminal for the Neutral

L Terminal for the Line

 Input terminal for the wired switch**

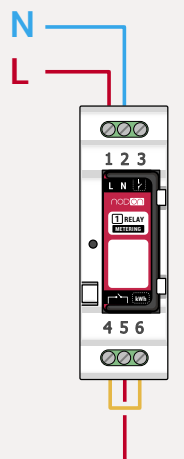
kWh Connect these 2 terminals with a shunt (included)

 Line output terminal

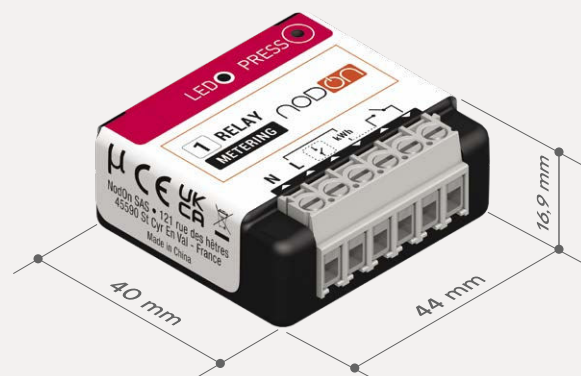
Note: Each terminal can accept a cable from 1.5mm² to 4mm² maximum, stripped of 8mm

**Wired switch optional (see the installation diagrams section on the next page)

***Wiring of the Zigbee Multifunction+ Relay Switch in the DIN Rail Box**



Dimensions

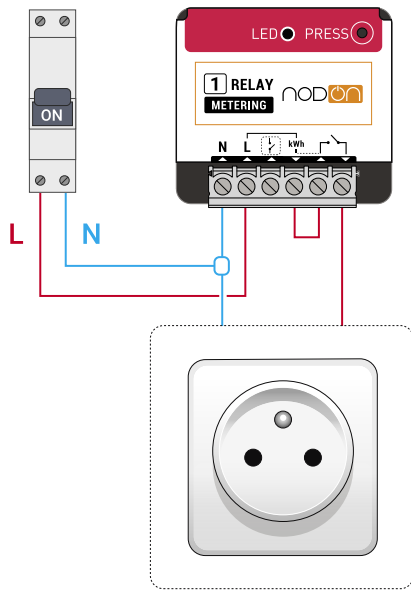


Reference

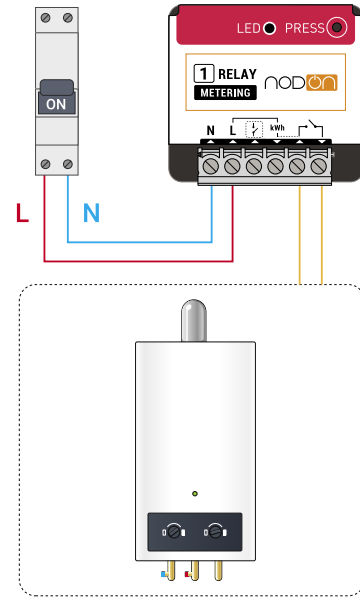
SIN-4-1-21
EAN: 3700313925799

Zigbee Multifunction Relay Switch wiring diagrams

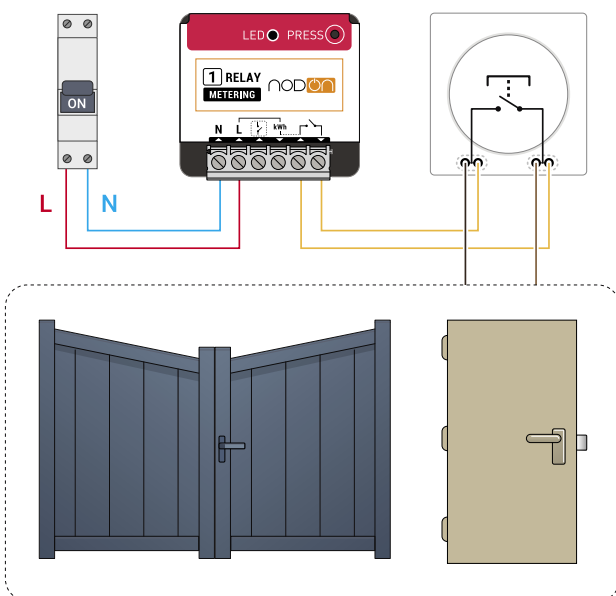
Power socket



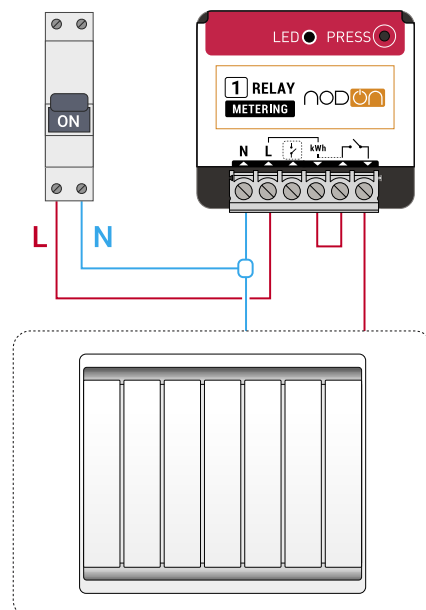
Boiler



Garage door/gate

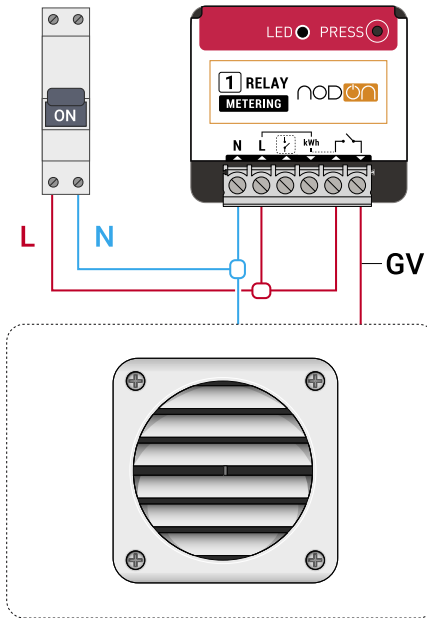


Heater

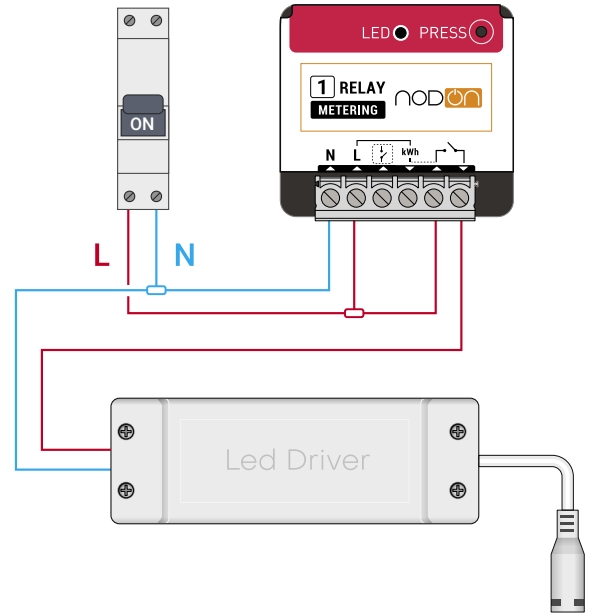


Zigbee Multifunction Relay Switch wiring diagrams

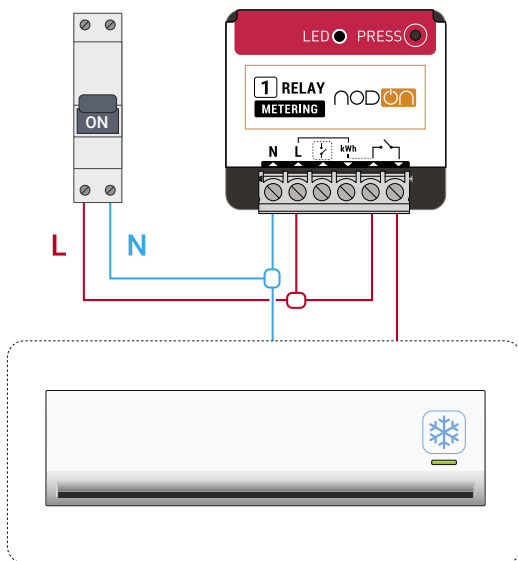
CMV



LED driver



Air-conditioner



Other wiring diagrams



Access all the wiring diagrams on
www.nodon.fr/en