

ZIGBEE MULTIFUNCTION RELAY SWITCH



Actuator



Features

The Zigbee Multifunction Relay Switch enables users to control their garage door, gate, heater, power socket, boiler... It is easy to install on existing equipment to connect it and make it remotely controllable - requires a compatible home automation system - with a smartphone, by voice or automatically.



HIGH SWITCHING CAPACITY

3.680W for controlling individual devices or collective (water heater, boiler...)



POTENTIAL-FREE OUTPUT

The Relay Switch has a potential-free output



ULTRA LOW PROFILE

Installation in electrical boxes from >30mm



INSTALLATION AT THE ELECTRICAL PANEL

DIN Rail Box needed*



UPDATE OVER THE AIR (OTA)

The relay switch is quick to update thanks to the OTA feature. Updates can be carried out via a compatible home automation system



COMPATIBLE WITH ALL ZIGBEE ECOSYSTEMS

Zigbee 3.0, this relay switch is 100% Zigbee interoperable

Technical specifications

Power supply: 230V AC ~ 50Hz

Switching capabilities: 230V AC – 16A

Consumption: <1W

Maximum output power: 3.680W - Integrated zero crossing

RF protocol: Zigbee 3.0

Radio frequency range: 2.4 GHz

RF power max: +10dBm

Range: up to 40m indoors

Operational temperature: -20°C to 60°C

Protection rating: IP 20

Device ID Type: On/Off Output (0x0002)

Commercial Warranty: 2 years

Requires a Zigbee compatible home automation system



The Zigbee Multifunction relay Switch works only with a Zigbee compatible home automation system (automatic or remote control).

List of compatible home automation gateways available on www.nodon.fr/en



Renovation



Control home access such as garage door, thanks to the Zigbee Multifunction Relay Switch potential-free output



Individual lighting control for shared workspaces



Remote control of the electric strike in the building hall

Comfort



Wirelessly connect power socket to automatically or remotely switch an appliance ON



Central heating management and boiler control

Installation



N Terminal for the Neutral

L Terminal for the Line

Input terminal for the wired switch**

Not used

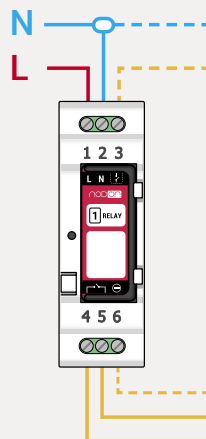
Input terminal, the potential will pass through the output terminal

Output terminal

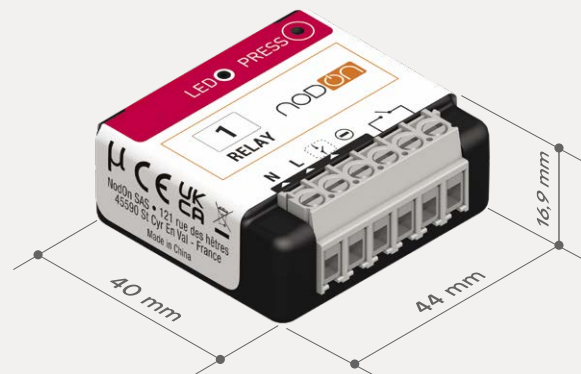
Note: Each terminal can accept a cable from 1.5mm² to 4mm² maximum, stripped of 8mm

**Wired switch optional (see the installation diagrams section on the next page)

***Wiring of the Zigbee Multifunction Relay Switch in the DIN Rail Box**



Dimensions

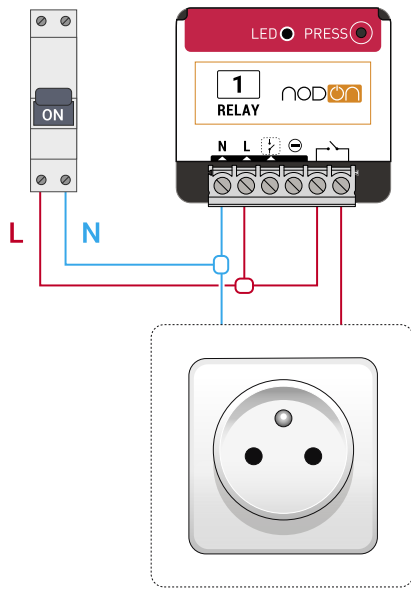


Reference

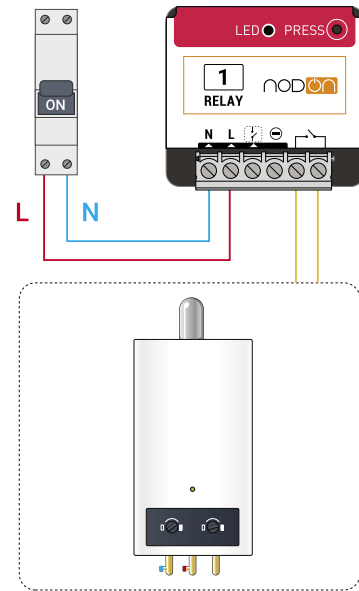
SIN-4-1-20
EAN: 3700313925188

Zigbee Multifunction Relay Switch wiring diagrams

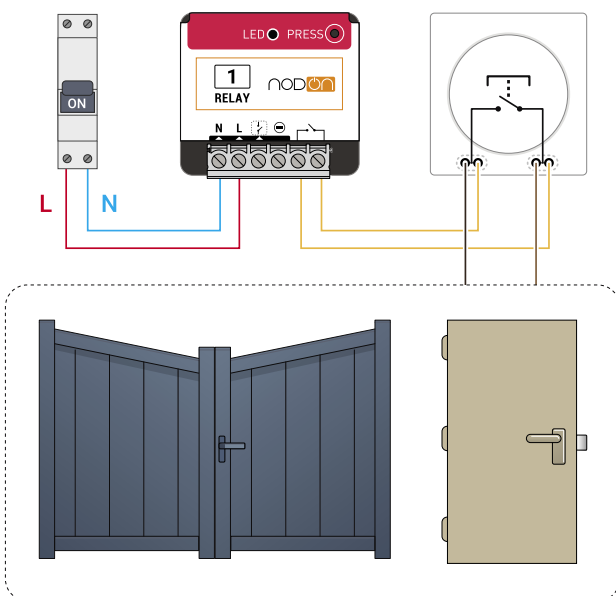
Power socket



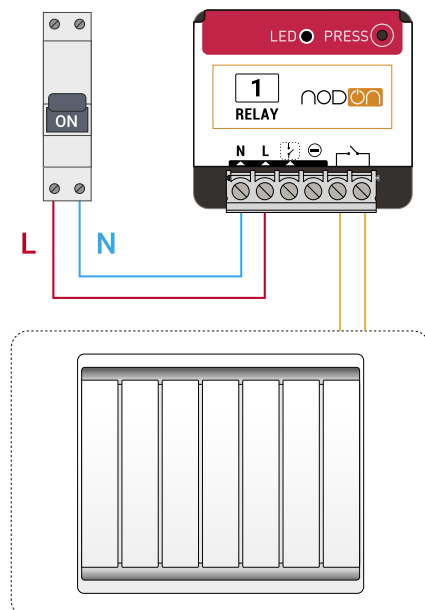
Boiler



Garage door/gate

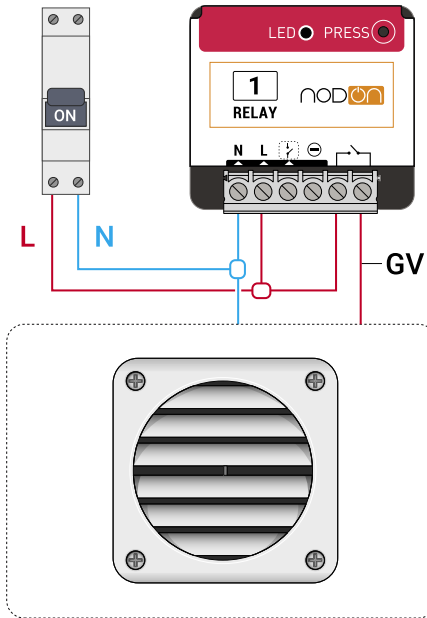


Heater

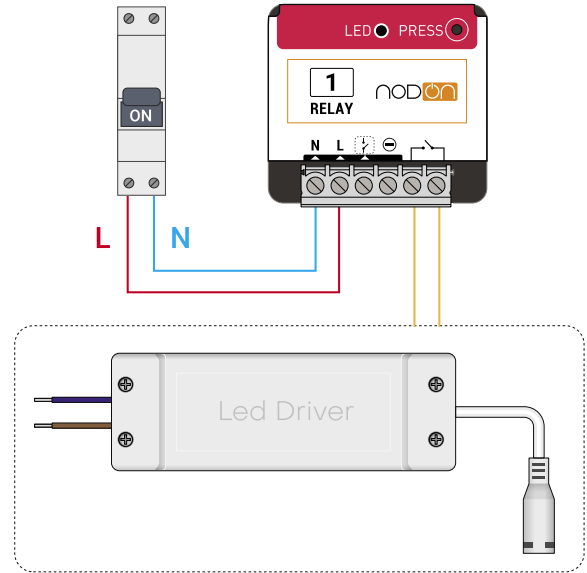


Zigbee Multifunction Relay Switch wiring diagrams

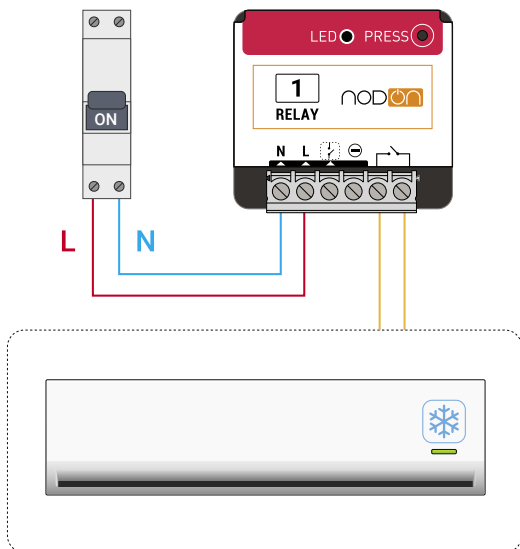
CMV



LED driver



Air-conditioner



Other wiring diagrams



Access all the wiring diagrams on
www.nodon.fr/en