



CWS-4-1-01\_HUE  
EAN: 3700313924723

## Philips Hue switch

A wireless and battery-less switch to control your Philips Hue lights



Requires a Philips Hue Bridge v2



Wireless and battery-less switch to control your Philips Hue lights

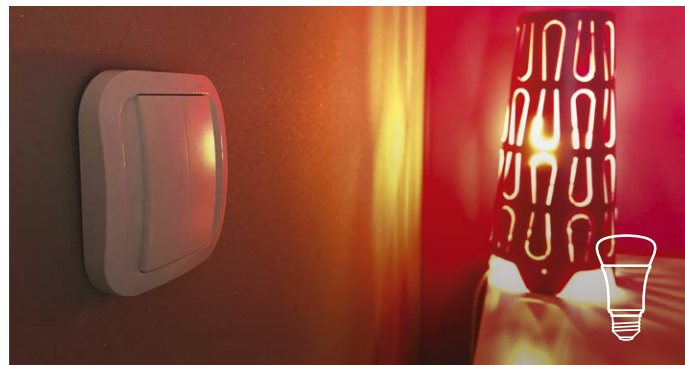
CWS-4-1-01\_HUE  
EAN: 3700313924723

### Control several rooms or home zone



Once your Hue app (Android, iOS) and your Philips Hue Bridge v2 are installed, setup the two buttons of your switch in Hue app to control the lights of one or several rooms at home.

### Change the light atmosphere



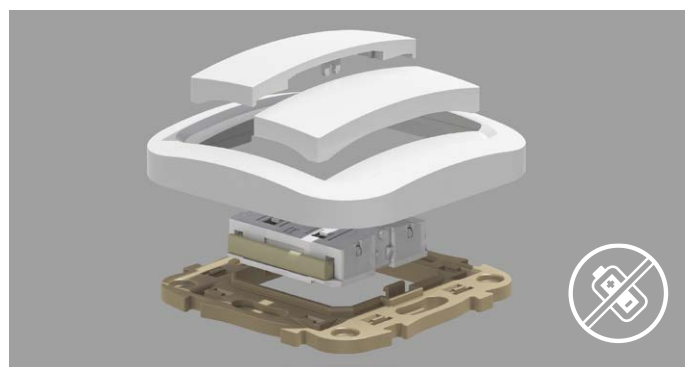
Endless configuration choice according to your habits and preferences. The switch can turn lights ON/OFF, vary light intensity, and launch a scenario or a light scene chosen or created in the Hue app.

### Quick installation, wherever you want



Install the switch wherever you want in the home. Wireless, it is easy to put on a wall, a furniture, a credence and much more thanks to adhesive bounding (included) or to screws (not included).

### Smart and battery-less



No batteries needed, your switch works thanks to mechanical energy created by the push on a button. You enjoy a daily use without the need to load or change batteries.

### Technical specifications

**Power source:** Magneto-resistive (no battery)

**4 buttons - 2 channels**

**Mounting:** wireless using adhesive bounding (included) or screws (not included)

**Temperature:** from  $-10^{\circ}\text{C}$  to  $40^{\circ}\text{C}$

**Radio:** Zigbee

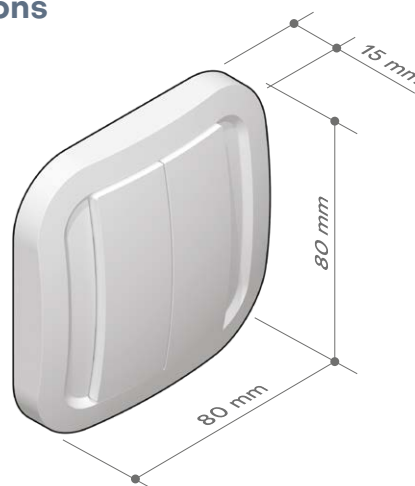
**Radio frequency range:** 2.406-2.481GHz

**RF power max:** 7dBm

**Range:** up to 20m indoor

**Dimensions:** 80x80x15mm

### Dimensions



Requires a Philips Hue Bridge (v2) and Philips Hue app for Android or iOS for initial setup. Learn more on [www.meethue.com](http://www.meethue.com)

  
x100 000

**Battery-free**  
by EnOcean

**CE**